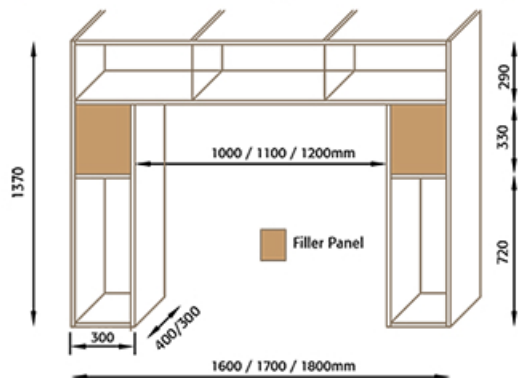


Carcass Details Required



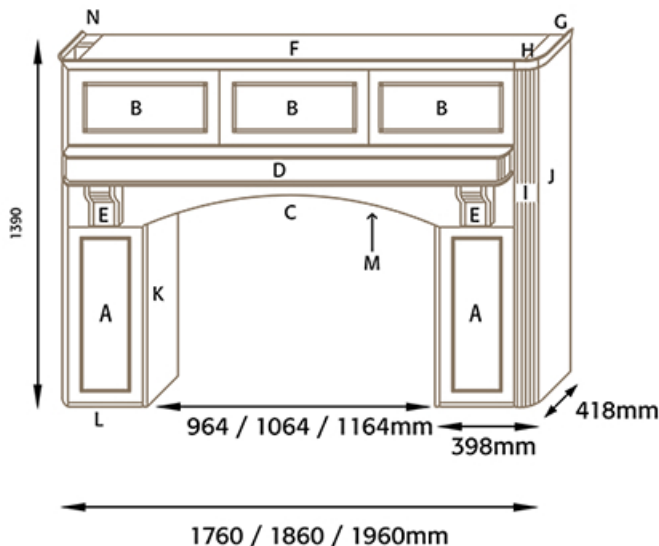
Broad Over Mantle Kit

Over Mantle kits are available in 3 standard aperture widths with 2 shelf options as shown below.

Carcass sizes required:

- 2 x 1080 H x 300 W x 300/400 D
- 3 x 290 H x 533 W x 300/400 D (**1000 aperture**)
- 3 x 290 H x 566 W x 300/400 D (**1100 aperture**)
- 3 x 290 H x 600 W x 300/400 D (**1200 aperture**)

Specification for Broad Shelf Mantle Kit



Part	Description	Qty
A	715 x 296 door	2
B	283 x 530 door (1000 aperture)	3
B	283 x 563 door (1100 aperture)	3
B	283 x 596 door (1200 aperture)	3
C	1600 x 360 Arched Facia (1000 aperture)	1
C	1700 x 360 Arched Facia (1100 aperture)	1
C	1800 x 360 Arched Facia (1200 aperture)	1
D	1580 x 126h x 150d Broad Shelf (1000 aperture)	1
D	1680 x 126h x 150d Broad Shelf (1100 aperture)	1
D	1780 x 126h x 150d Broad Shelf (1200 aperture)	1
E	Pair of Mantle Corbels 200 x 135	1
F	1800 Length of Tangent Cornice	1
G	1200 Cornice (use for returns)	1
H	Radius Cornice Pieces	2
I	1390 Length of Radius Rail	2
J	1390 x 338 Sq Edge Panels	2
K	850 x 418 Sq Edge Notched Panel	2
L	300 x 418 Sq Edge Panel Base	2
M	1200 x 400 Extractor Panel Sq Edge (Not Foiled)	1
N	1390 x 62 Radius Rail Spacer	2

1000mm Broad Shelf Mantle Kit
 1100mm Broad Shelf Mantle Kit
 1200mm Broad Shelf Mantle Kit